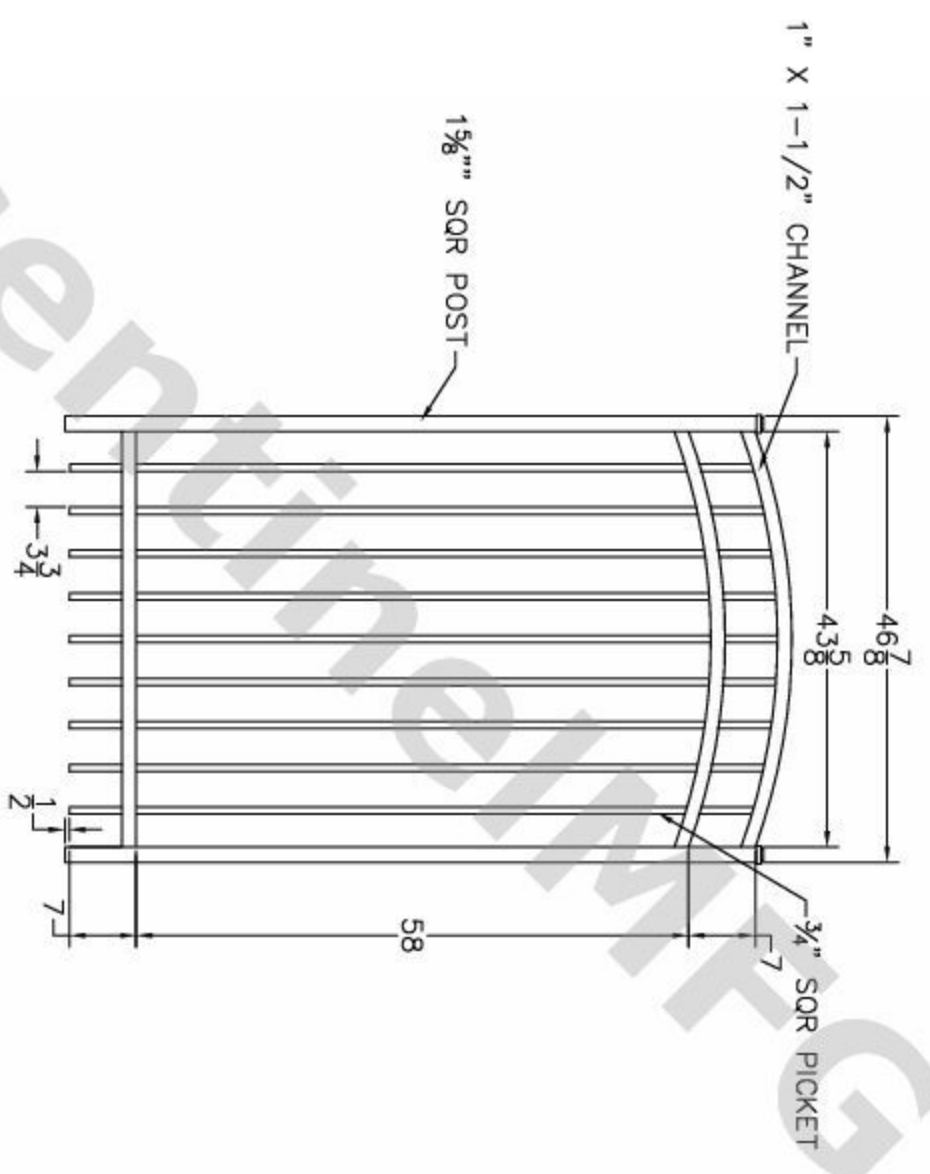


REV	DATE	BY	CHKD
01	08/06/13		
02			
03			
04			
05			
06			
07			
08			
09			
10			



OUTSIDE VIEW

- NOTES:
1. ALL DIMENSIONS IN INCHES.
 2. INSTALL POSTS PER STANDARD CONSTRUCTION PRACTICES

SENTINEL MFG.
 1527 NC HWY 711
 LUMBERTON, NC 28360
 (910) 735-1351

DRAWING:
 COMMERCIAL GRADE
 SIERRA GATE
 72" HT X 48" WD - ARCHED

SIZE	DWG NO.	REV
D	SI-C-72X48-AR	NC
SCALE	DATE	SHEET
	04-06-09	1 OF 1

© 2009. This drawing may not be altered or reproduced without the permission of SENTINEL MFG.