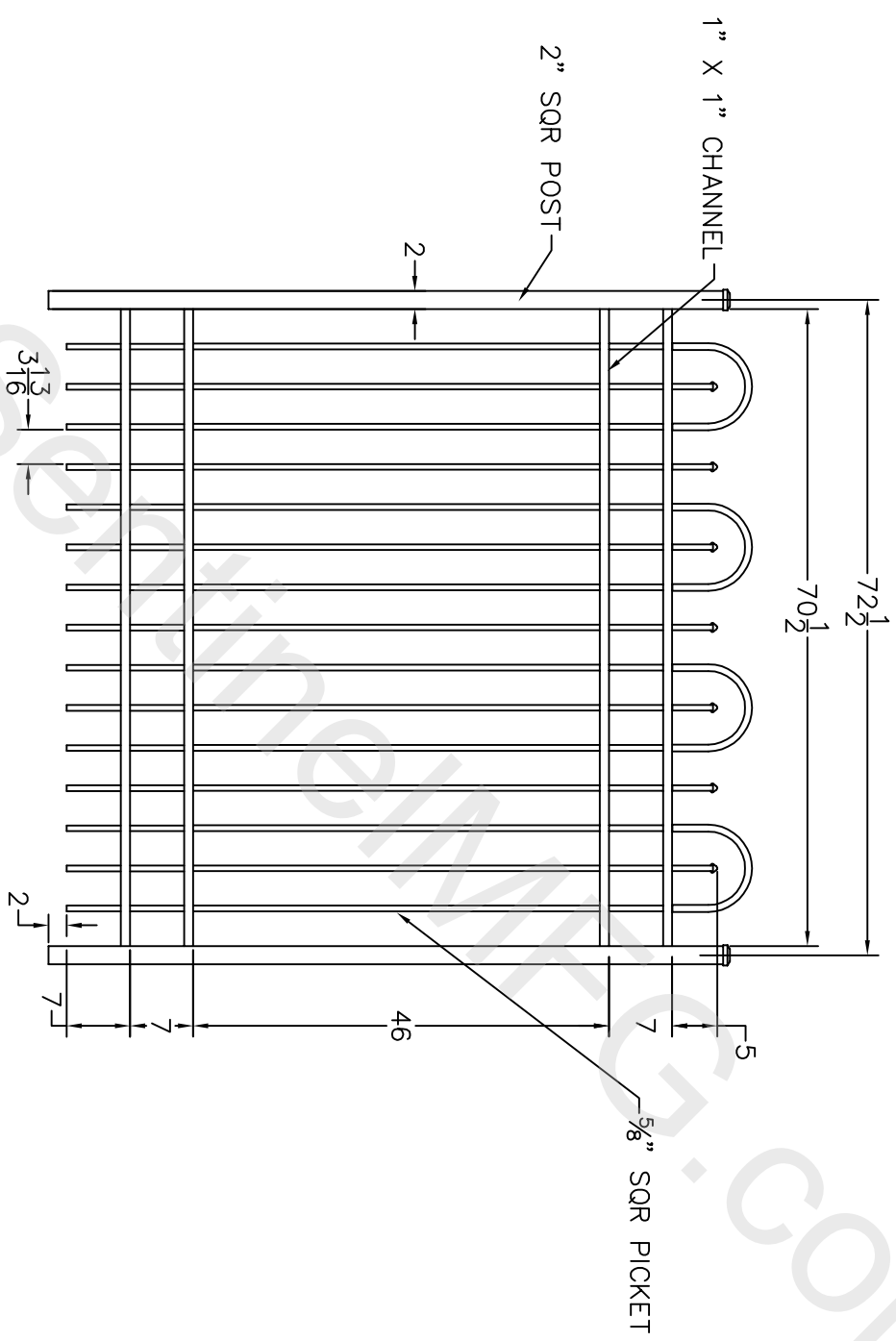


ZONE	REV	DESCRIPTION	DATE	APPROVED
-	NC	INITIAL RELEASE		
-	01	REVISE CO. NAME, STRETCH TO 72 INCH	03/09/12	



- NOTES:
1. ALL DIMENSIONS IN INCHES.
  2. INSTALL POSTS PER STANDARD CONSTRUCTION PRACTICES

SENTINEL MFG.  
 1527 NC HWY 711  
 LUMBERTON, NC 28360  
 (910) 735-1351

DRAWING:  
 ELEGANT ARCH - 72" HT  
 (4 HOOP)

SIZE	DWG NO.	DATE	SHEET	REV
D	EA-72-WH4	06-06-05	1 OF 1	NC
SCALE				

© 2004. This drawing may not be altered or reproduced without the permission of SENTINEL MFG.