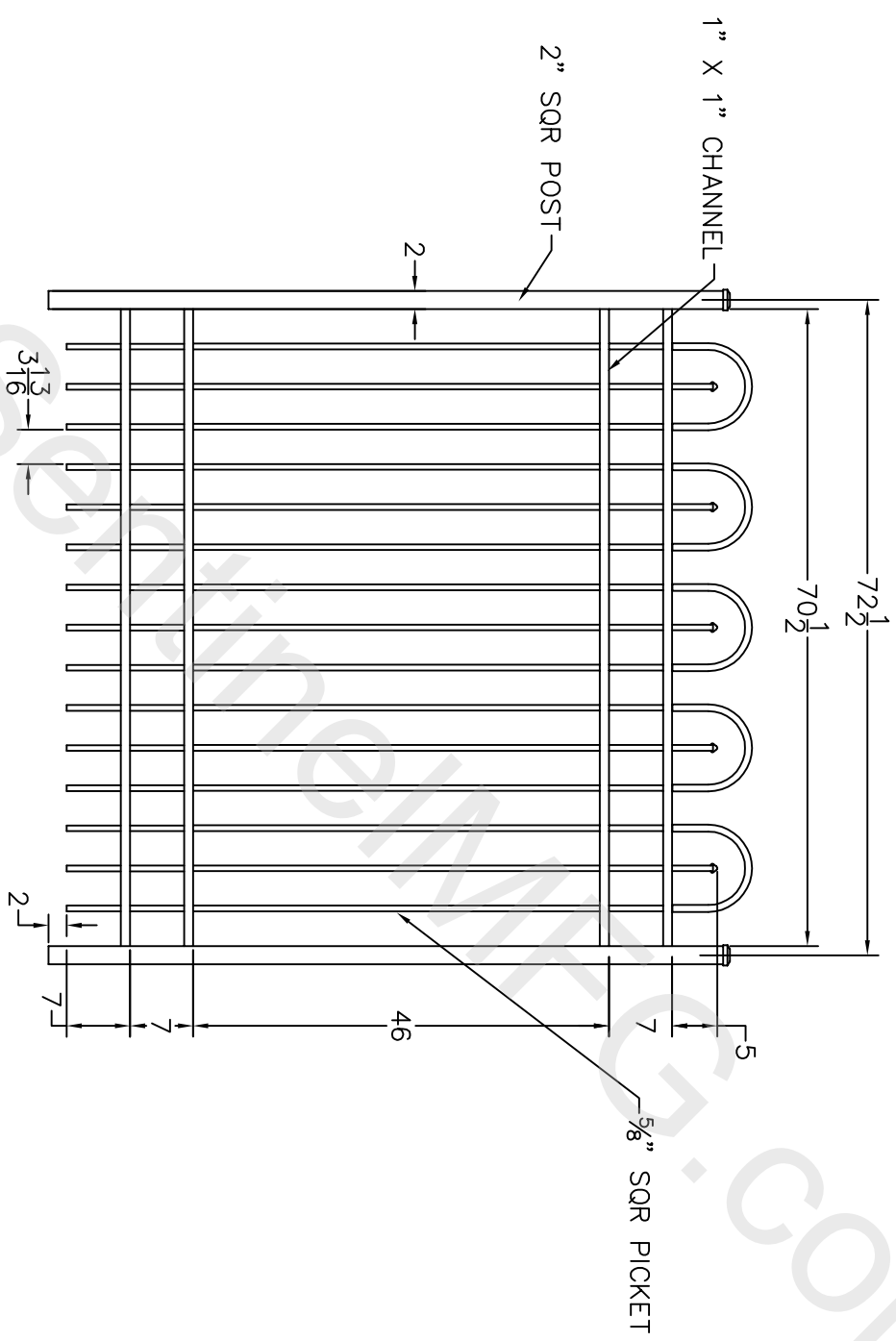


| ZONE | REV | DESCRIPTION                         | DATE     | APPROVED |
|------|-----|-------------------------------------|----------|----------|
| - NC |     | INITIAL RELEASE                     |          |          |
| - 01 |     | REVISE CO. NAME, STRETCH TO 72 INCH | 03/09/12 |          |



- NOTES:
1. ALL DIMENSIONS IN INCHES.
  2. INSTALL POSTS PER STANDARD CONSTRUCTION PRACTICES

SENTINEL MFG.  
 1527 NC HWY 711  
 LUMBERTON, NC 28360  
 (910) 735-1351

DRAWING:  
 ELEGANT ARCH - 72" HT  
 (5 HOOP)

|       |              |          |        |     |
|-------|--------------|----------|--------|-----|
| SIZE  | DWG NO.      | DATE     | SHEET  | REV |
| D     | EA-72-WH5-DR | 06-06-05 | 1 OF 1 | NC  |
| SCALE |              |          |        |     |

© 2004. This drawing may not be altered or reproduced without the permission of SENTINEL MFG.