

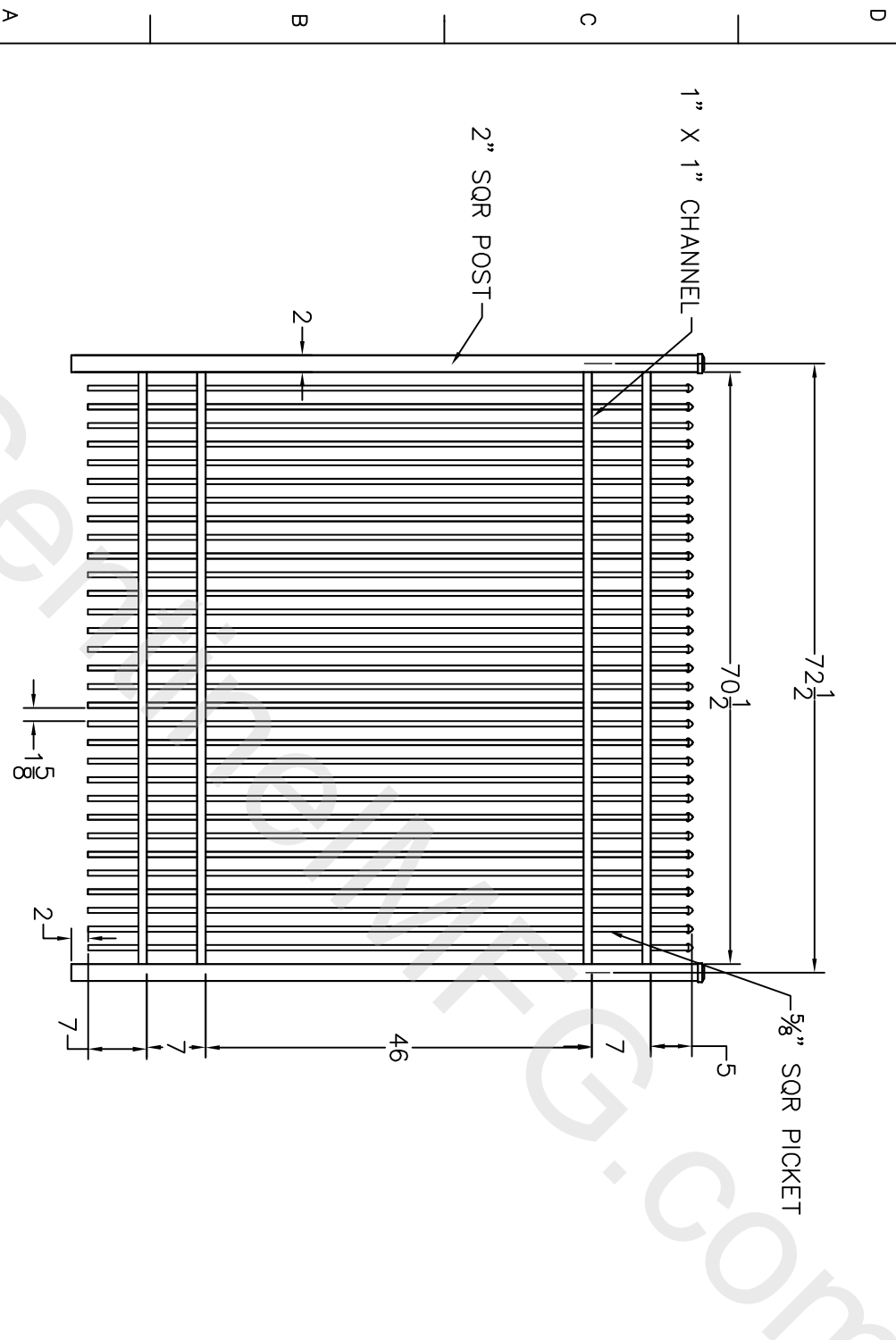
DATE	01/10/12	APPROVED	
REVISION			
NO.	01	REVISION CO. NAME	
INITIAL RELEASE			
NC			

- NOTES:
1. ALL DIMENSIONS IN INCHES.
 2. INSTALL POSTS PER STANDARD CONSTRUCTION PRACTICES

SENTINEL MFG.
 1527 NC HWY 711
 LUMBERTON, NC 28360
 (910) 735-1351

DRAWING:
 EXTRA PICKET - 72" HT
 APPALACHIAN

SIZE	D	DWG NO.	XP-72-AP	REV	NC
SCALE		DATE	01-18-12	SHEET	1 OF 1



© 2004. This drawing may not be altered or reproduced without the permission of SENTINEL MFG.