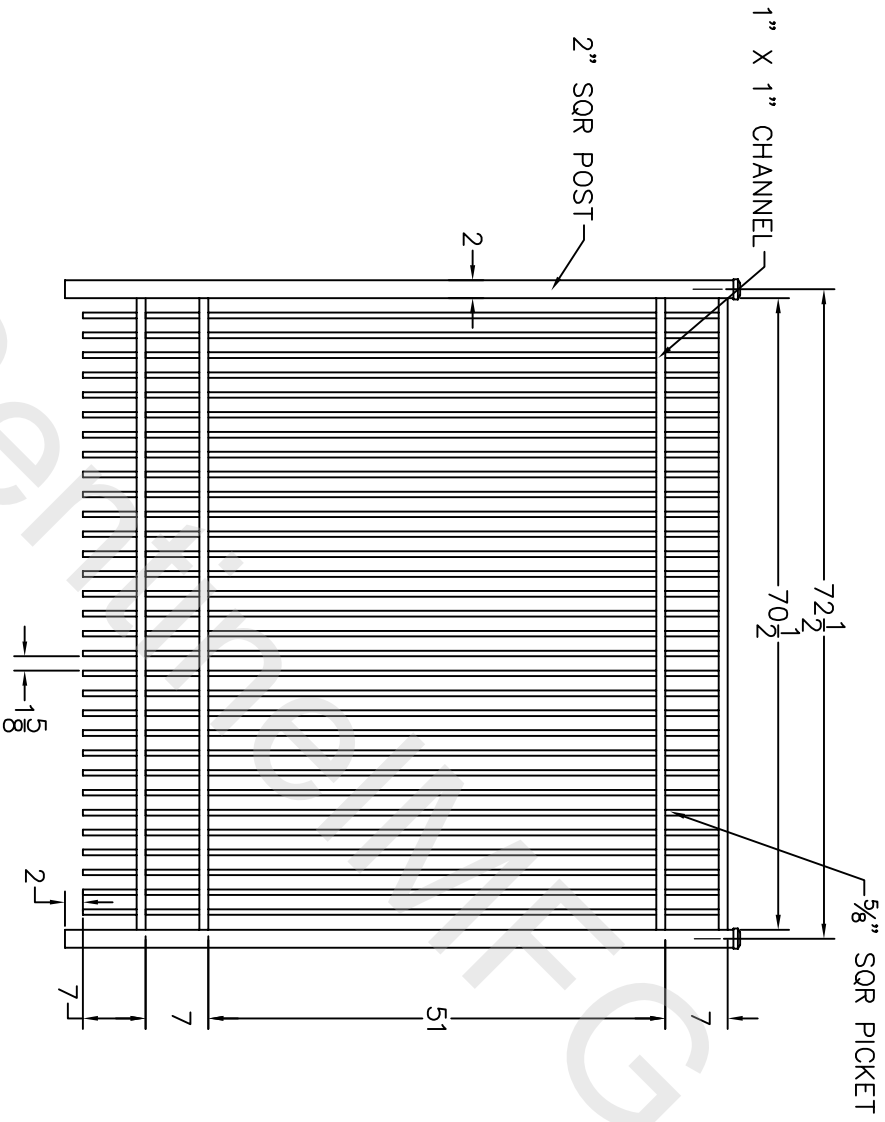


| | | | |
|------|-----------------|----------|----------|
| DATE | DESCRIPTION | DATE | APPROVED |
| NO | INITIAL RELEASE | | |
| 01 | REVISE CO. NAME | 01/07/12 | |



- NOTES:
1. ALL DIMENSIONS IN INCHES.
 2. INSTALL POSTS PER STANDARD CONSTRUCTION PRACTICES

SENTINEL MFG.
 1527 NC HWY 711
 LUMBERTON, NC 28360
 (910) 735-1351

DRAWING:
 EXTRA PICKET - 72" HT
 SIERRA

| | | |
|-------|----------|--------|
| SIZE | DWG NO. | REV. |
| D | XP-72-SI | NC |
| SCALE | DATE | SHEET |
| | 01-18-12 | 1 OF 1 |

© 2005 This drawing may not be altered or reproduced without the permission of SENTINEL MFG.