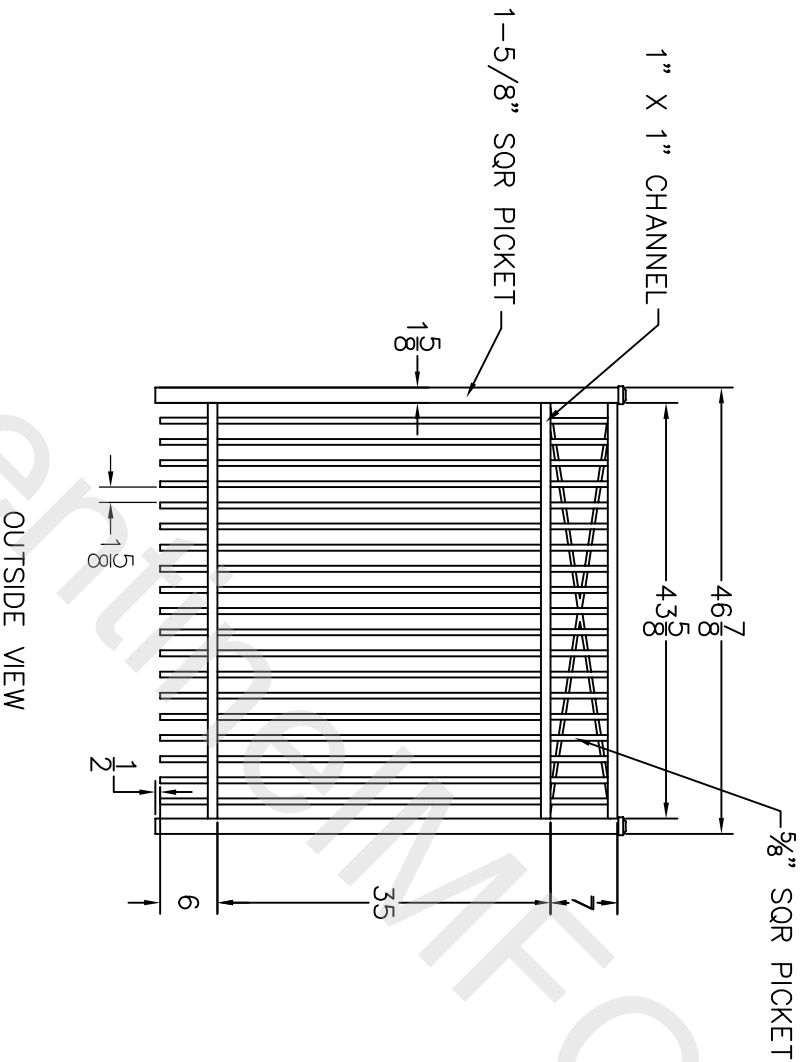


DATE	REV	DESCRIPTION	DATE	APPROVED
-	NC	INITIAL RELEASE	03-09-12	
-	01	REVISE FROM STD. 48X48 GATE	03-20-12	
-	02	CREATE SEPARATE SERIES		



OUTSIDE VIEW

- NOTES:
1. ALL DIMENSIONS IN INCHES.
  2. INSTALL POSTS PER STANDARD CONSTRUCTION PRACTICES

SENTINEL MFG.  
 1527 NC HWY 711  
 LUMBERTON, NC 28360  
 (910) 735-1351

DRAWING:  
 EXTRA PICKET - GATE  
 48"HT X 48" WD  
 SIERRA

SIZE	DWG NO	DATE	SHEET	REV
D	XP-48HX48W-SI	06-06-05	1 OF 1	NC

© 2004. This drawing may not be altered or reproduced without the permission of SENTINEL MFG.