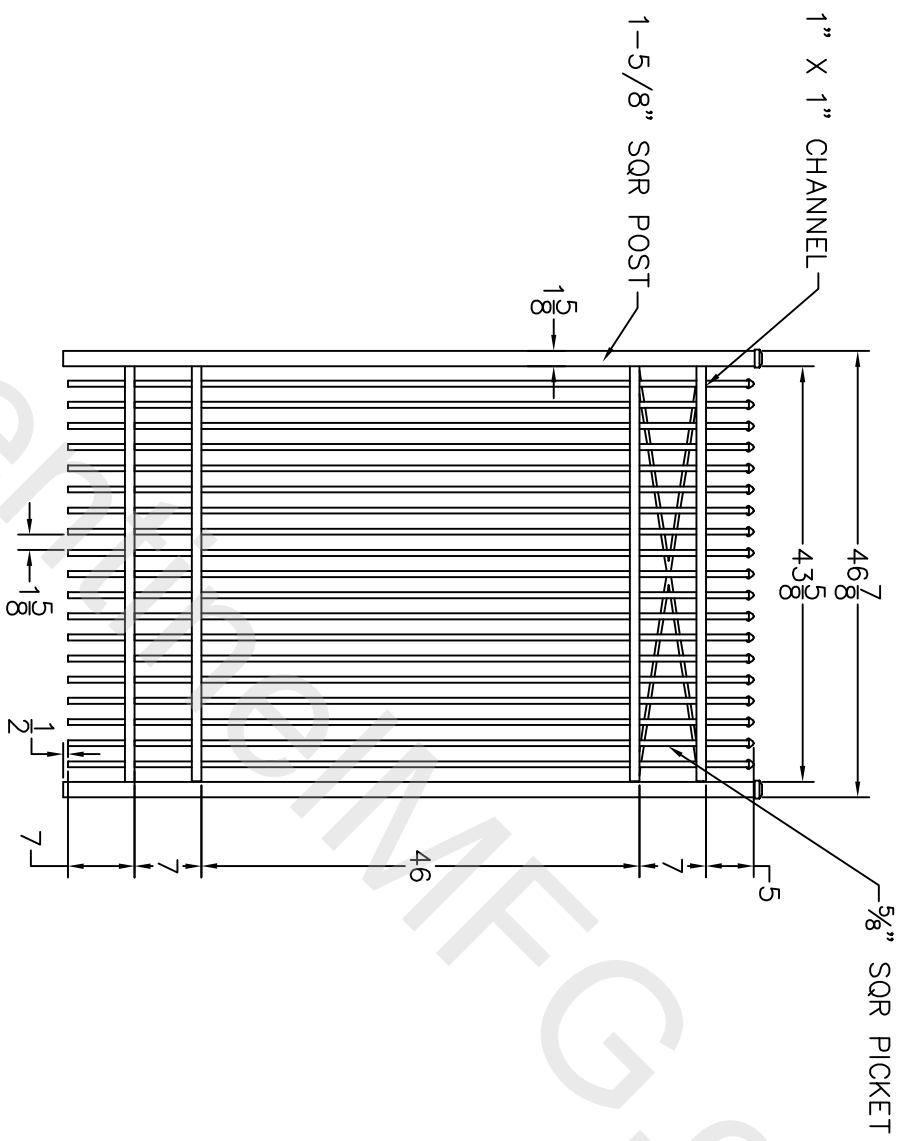


DATE	REV	DESCRIPTION	DATE	APPROVED
-	NC	INITIAL RELEASE	03/08/12	
-	01	REVISED FROM 48X48 XP GATE	03/20/12	
-	02	CREATE SEPARATE SERIES	03/20/12	



- NOTES:
1. ALL DIMENSIONS IN INCHES.
  2. INSTALL POSTS PER STANDARD CONSTRUCTION PRACTICES

© 2004. This drawing may not be altered or reproduced without the permission of SENTINEL MFG.

**SENTINEL MFG.**  
 1527 NC HWY 711  
 LUMBERTON, NC 28360  
 (910) 735-1351

**DRAWING:**  
 EXTRA PICKET - GATE  
 72"HT X 48" WD  
 APPALACHIAN

SIZE	DWG NO.	DATE	SHEET	REV
D	XP72HX48W-AP	06-06-05	1 OF 1	NC