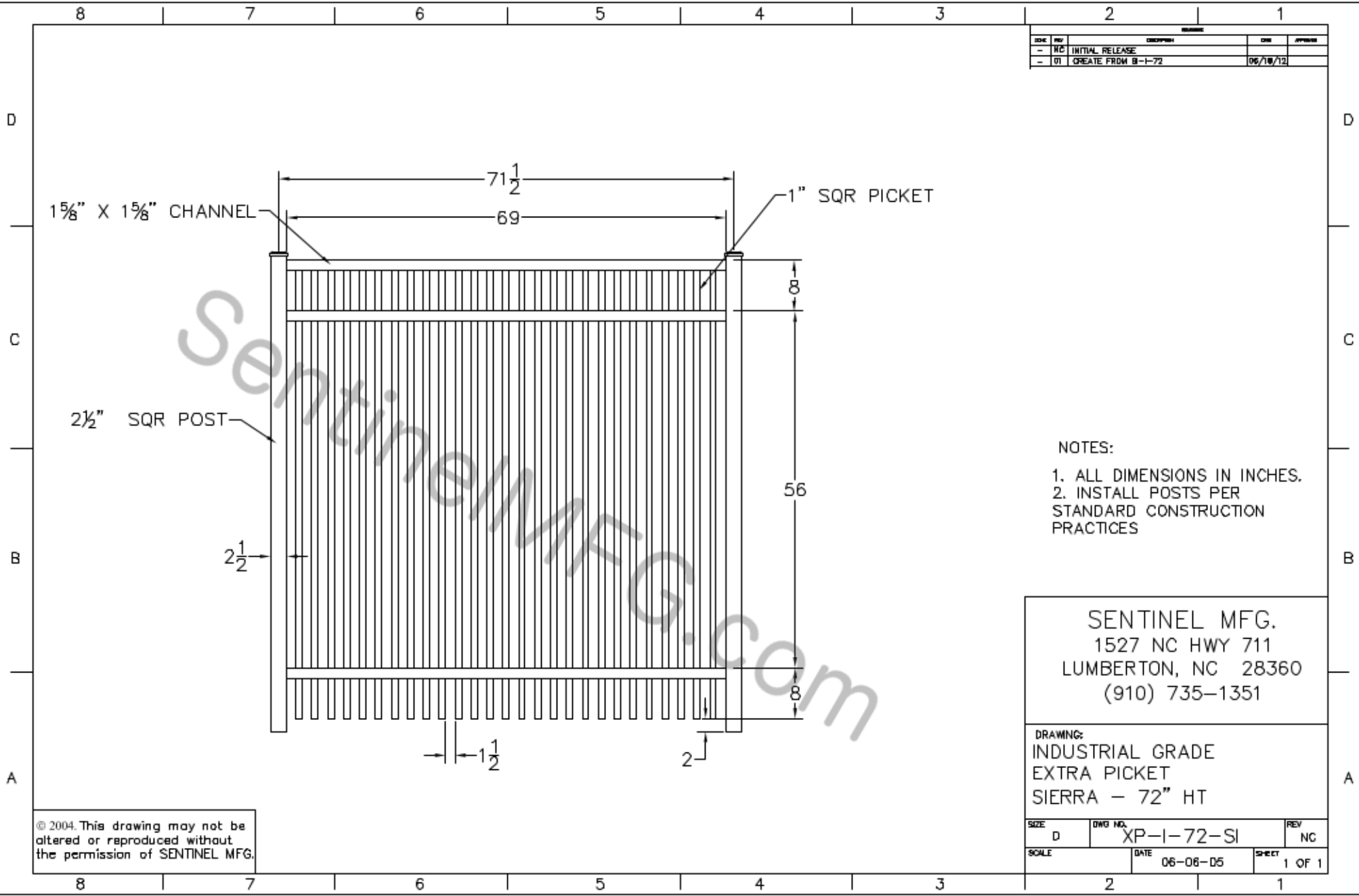


DATE	REV	DESCRIPTION	BY	APP'D
-	NC	INITIAL RELEASE		
-	01	CREATE FROM B-1-72		06/18/12



1 5/8" X 1 5/8" CHANNEL

71 1/2

69

1" SQR PICKET

8

56

8

2 1/2" SQR POST

2 1/2

1 1/2

2

- NOTES:
1. ALL DIMENSIONS IN INCHES.
 2. INSTALL POSTS PER STANDARD CONSTRUCTION PRACTICES

SENTINEL MFG.
 1527 NC HWY 711
 LUMBERTON, NC 28360
 (910) 735-1351

DRAWING:
 INDUSTRIAL GRADE
 EXTRA PICKET
 SIERRA - 72" HT

© 2004. This drawing may not be altered or reproduced without the permission of SENTINEL MFG.

SIZE	DWG NO.	REV
D	XP-1-72-SI	NC
SCALE	DATE	SHEET
	06-06-05	1 OF 1