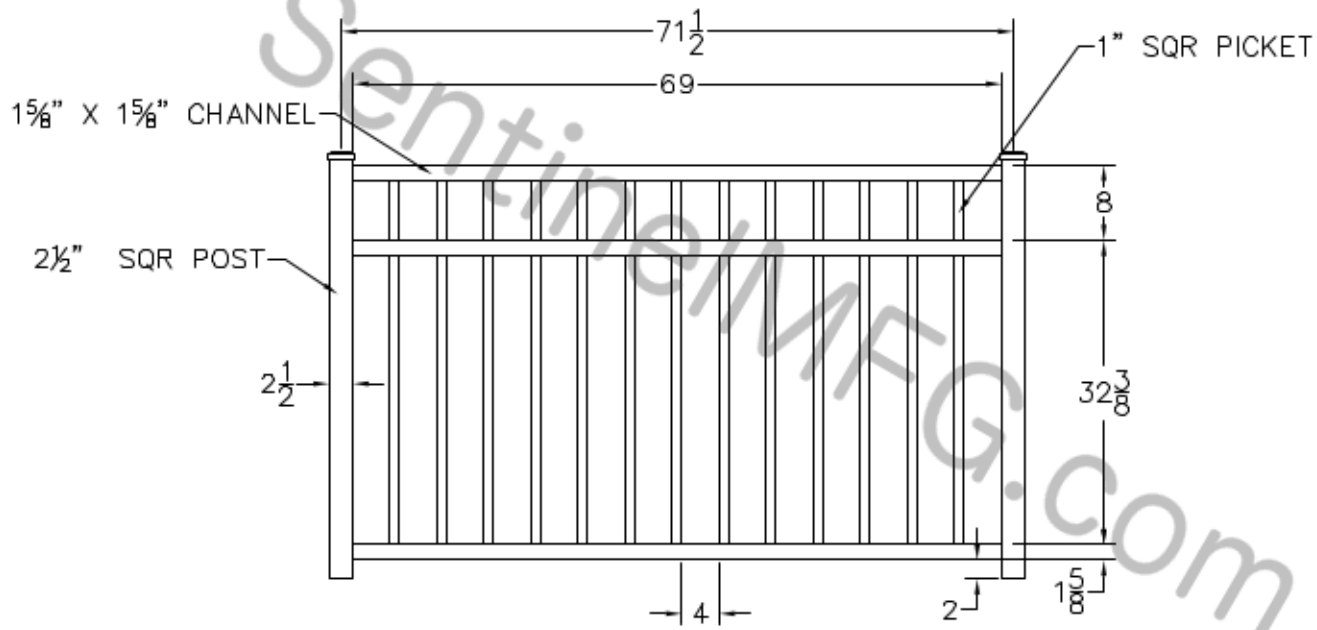


DATE	REV	DESCRIPTION	CHK	APP
-	NC	INITIAL RELEASE		
-	01	REVISE CO. NAME	06/18/12	



- NOTES:
1. ALL DIMENSIONS IN INCHES.
 2. INSTALL POSTS PER STANDARD CONSTRUCTION PRACTICES

SENTINEL MFG.
 1527 NC HWY 711
 LUMBERTON, NC 28360
 (910) 735-1351

DRAWING:
 INDUSTRIAL GRADE
 SIERRA - 42" HT
 DROP RAIL

SIZE	D	DWG NO.	SI-1-42-DR	REV	NC
SCALE		DATE	06-06-05	SHEET	1 OF 1

© 2005. This drawing may not be altered or reproduced without the permission of SENTINEL MFG.