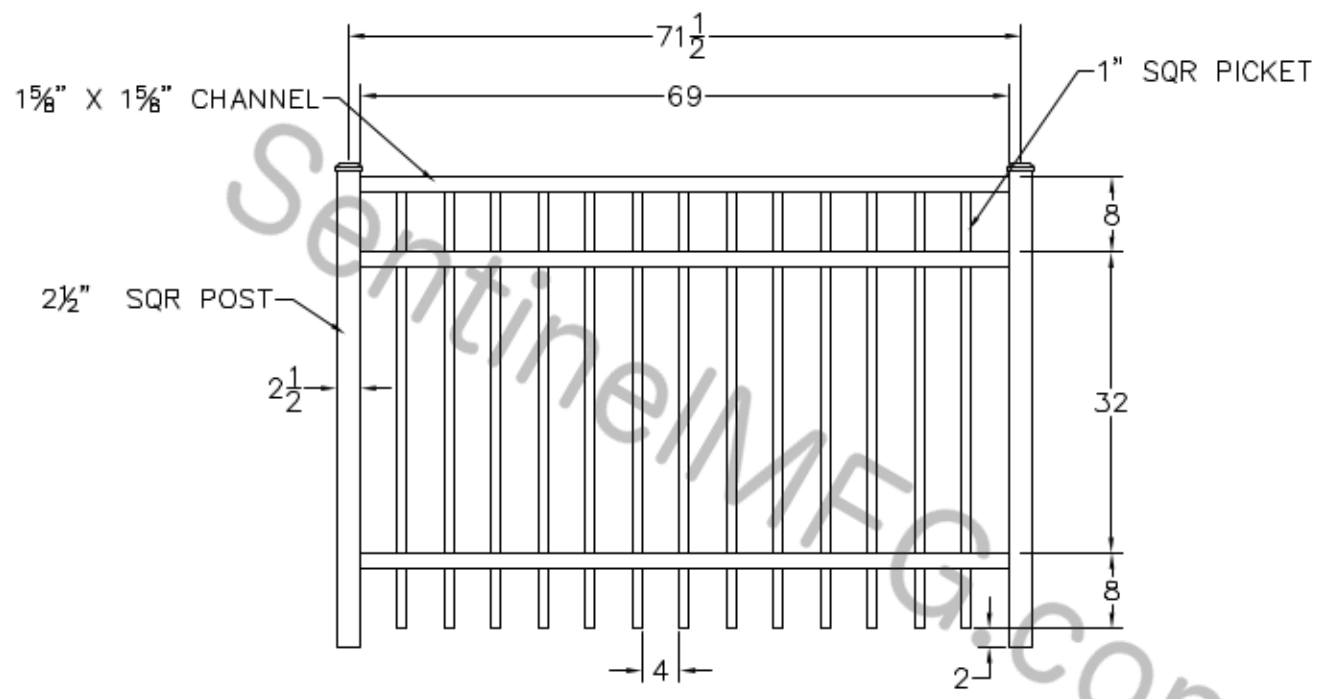


DATE	BY	DESCRIPTION	CHK	APPR
-	NC	INITIAL RELEASE		
-	OT	REVISE CD. NAME		06/18/12



- NOTES:
1. ALL DIMENSIONS IN INCHES.
 2. INSTALL POSTS PER STANDARD CONSTRUCTION PRACTICES

SENTINEL MFG.
 1527 NC HWY 711
 LUMBERTON, NC 28360
 (910) 735-1351

DRAWING:
 INDUSTRIAL GRADE
 SIERRA - 48" HT

© 2004. This drawing may not be altered or reproduced without the permission of SENTINEL MFG.

SIZE	DWG NO.	REV
D	SI-1-48	NC
SCALE	DATE	SHEET
	06-06-05	1 OF 1