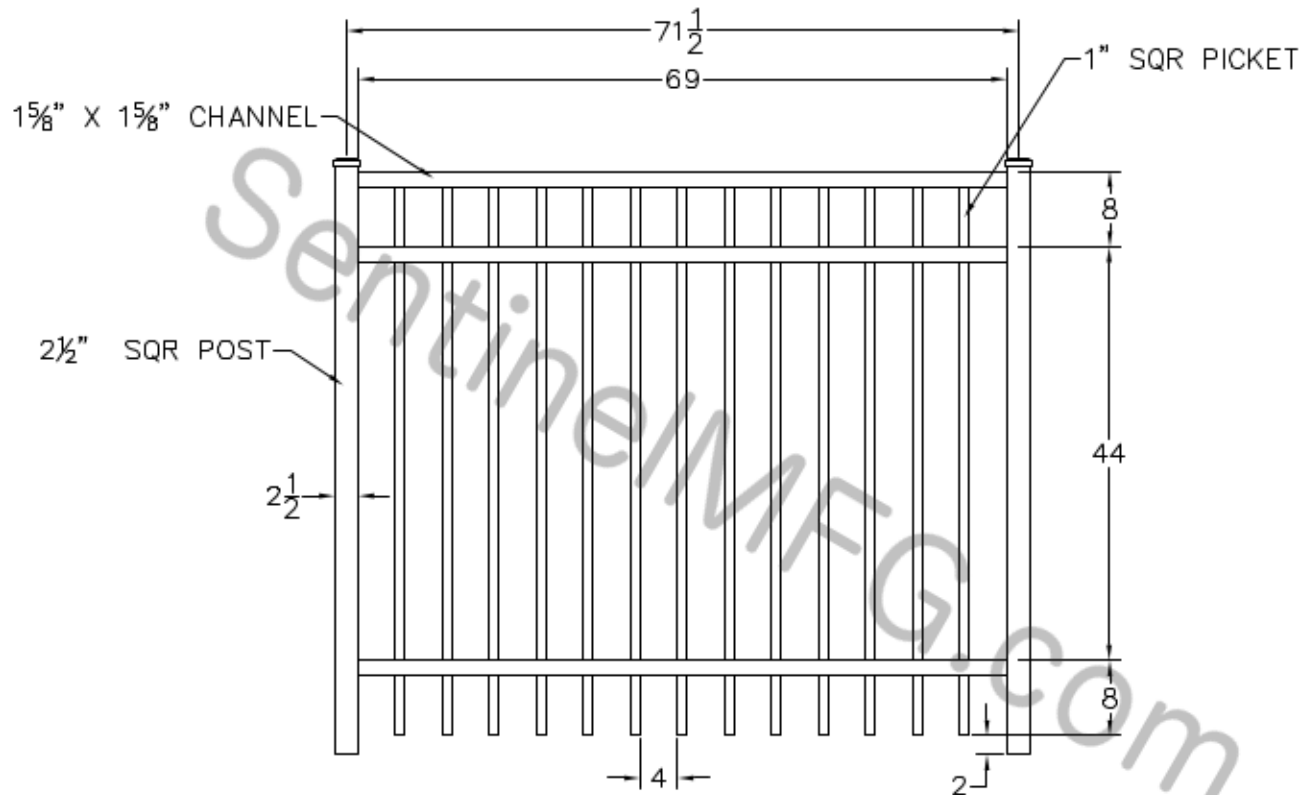


REV	DESCRIPTION	DATE	APP'D
- NC	INITIAL RELEASE		
- 01	REVISE CO. NAME	06/18/12	



NOTES:

1. ALL DIMENSIONS IN INCHES.
2. INSTALL POSTS PER STANDARD CONSTRUCTION PRACTICES

SENTINEL MFG.
 1527 NC HWY 711
 LUMBERTON, NC 28360
 (910) 735-1351

DRAWING:
 INDUSTRIAL GRADE
 SIERRA - 60" HT

© 2004. This drawing may not be altered or reproduced without the permission of SENTINEL MFG.

SIZE D	DWG NO. SI-1-60	REV NC
SCALE	DATE 06-06-05	SHEET 1 OF 1