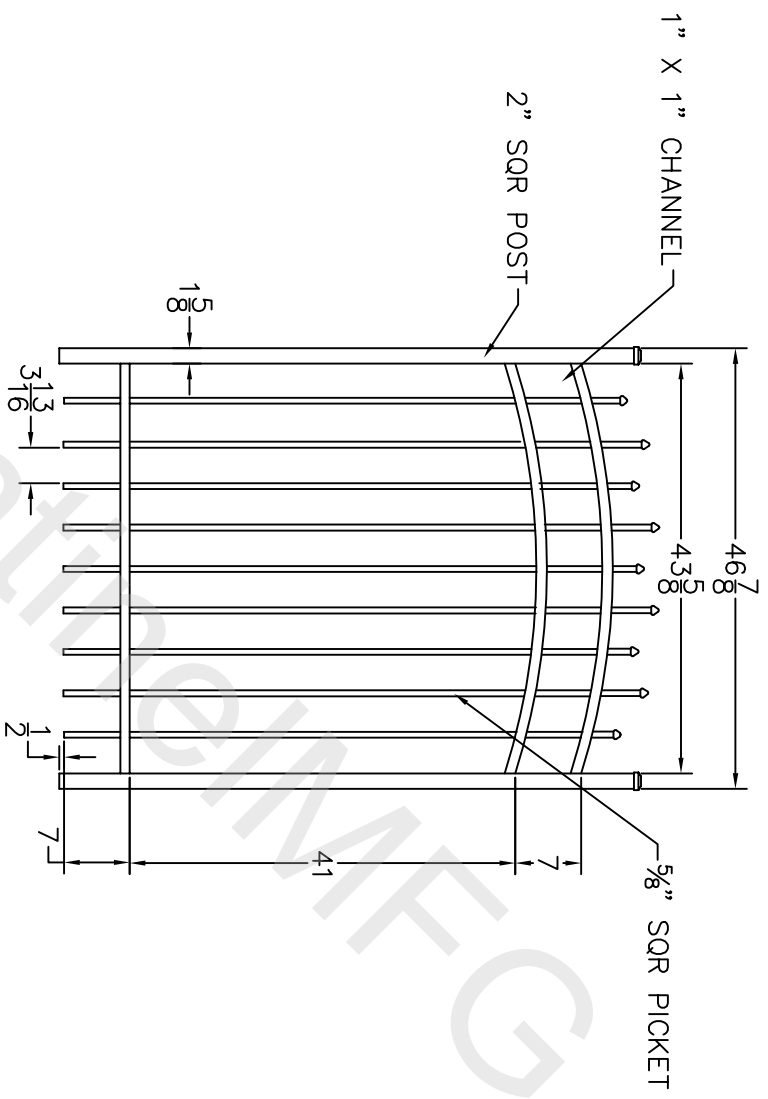


ZONE	REV	DESCRIPTION	DATE	APPROVED
-	NC	INITIAL RELEASE		
-	01	REVISE FROM 48X48 ARCHED GATE	03/07/13	



OUTSIDE VIEW

NOTES:

1. ALL DIMENSIONS IN INCHES.
2. INSTALL POSTS PER STANDARD CONSTRUCTION PRACTICES

SENTINEL MFG.
 1527 NC HWY 711
 LUMBERTON, NC 28360
 (910) 735-1351

DRAWING:
 MANHATTAN ARCHED GATE-
 60HT X 48" WD

SIZE	DWG NO.	DATE	SHEET	REV
D	MA-60HX48W-AR	06-06-05	1 OF 1	NC
SCALE				

© 2004. This drawing may not be altered or reproduced without the permission of SENTINEL MFG.