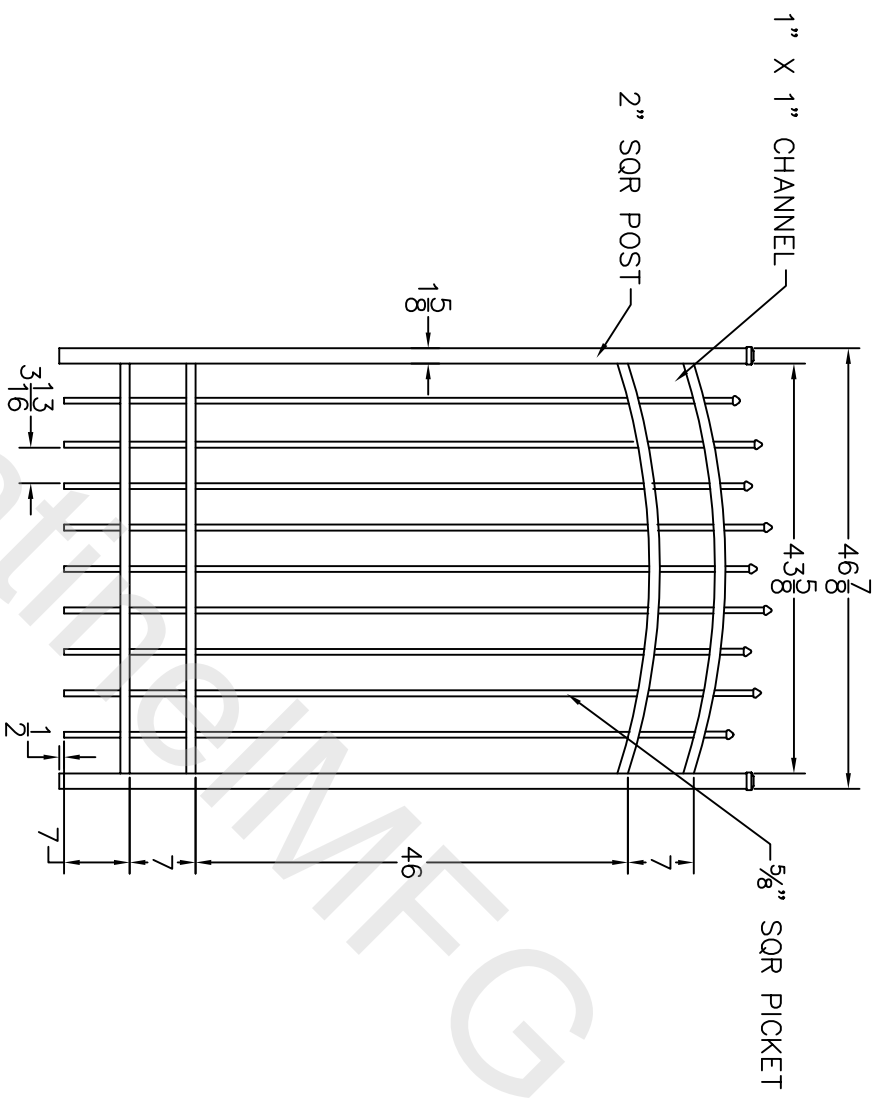


REV	DESCRIPTION	DATE	APPROVED
01	INITIAL RELEASE	03/07/13	
01	REVISE FROM 48X48 ARCHED GATE		



OUTSIDE VIEW

© 2004. This drawing may not be altered or reproduced without the permission of SENTINEL MFG.

- NOTES:
1. ALL DIMENSIONS IN INCHES.
 2. INSTALL POSTS PER STANDARD CONSTRUCTION PRACTICES

DRAWING:
 MANHATTAN ARCHED GATE-
 72HT X 48" WD

SENTINEL MFG.
 1527 NC HWY 711
 LUMBERTON, NC 28360
 (910) 735-1351

SIZE	DWG NO.	DATE	SHEET	REV
D	MA-72HX48W-AR	06-06-05	1 OF 1	NC