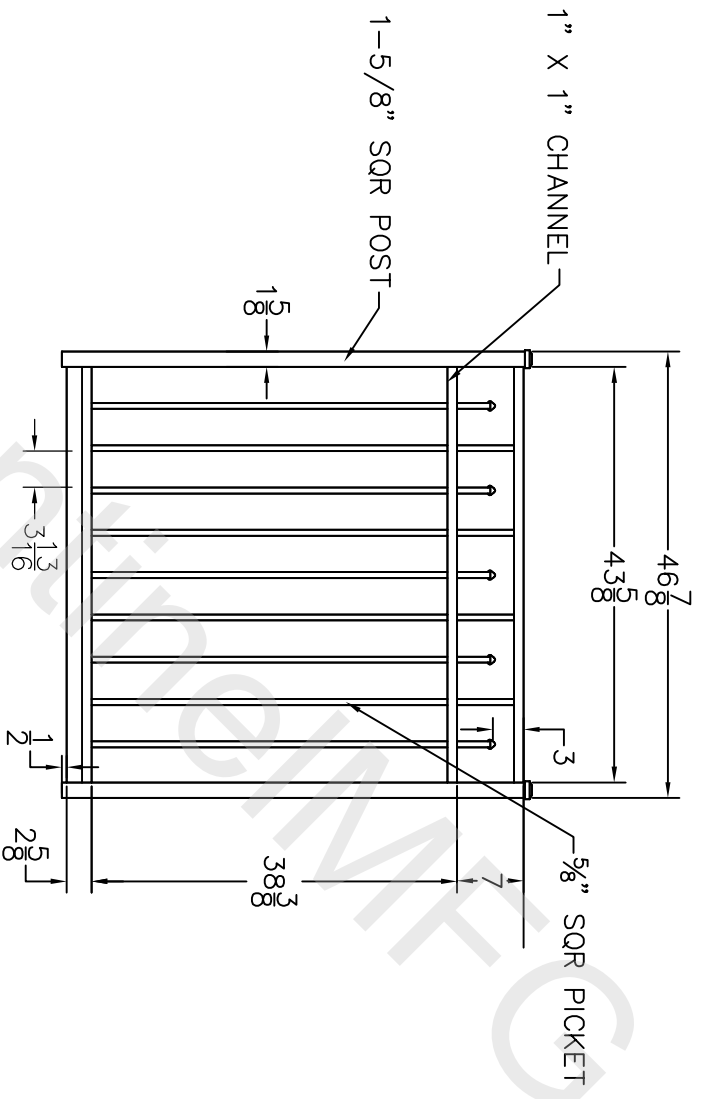


DATE	REV	DESCRIPTION	DATE	APPROVED
03/15/12	01	INITIAL RELEASE CREATED FROM 48X48 DR GATE		



OUTSIDE VIEW

- NOTES:
1. ALL DIMENSIONS IN INCHES.
 2. INSTALL POSTS PER STANDARD CONSTRUCTION PRACTICES

SENTINEL MFG.
 1527 NC HWY 711
 LUMBERTON, NC 28360
 (910) 735-1351

DRAWING:
 OUTBACK GATE
 HEAVY DUTY
 48"HT X 48" WD

SIZE	DWG NO.	DATE	SHEET	REV
D	OU-48HX48W-HD	02-01-12	1 OF 1	NC

© 2005. This drawing may not be altered or reproduced without the permission of SENTINEL MFG.