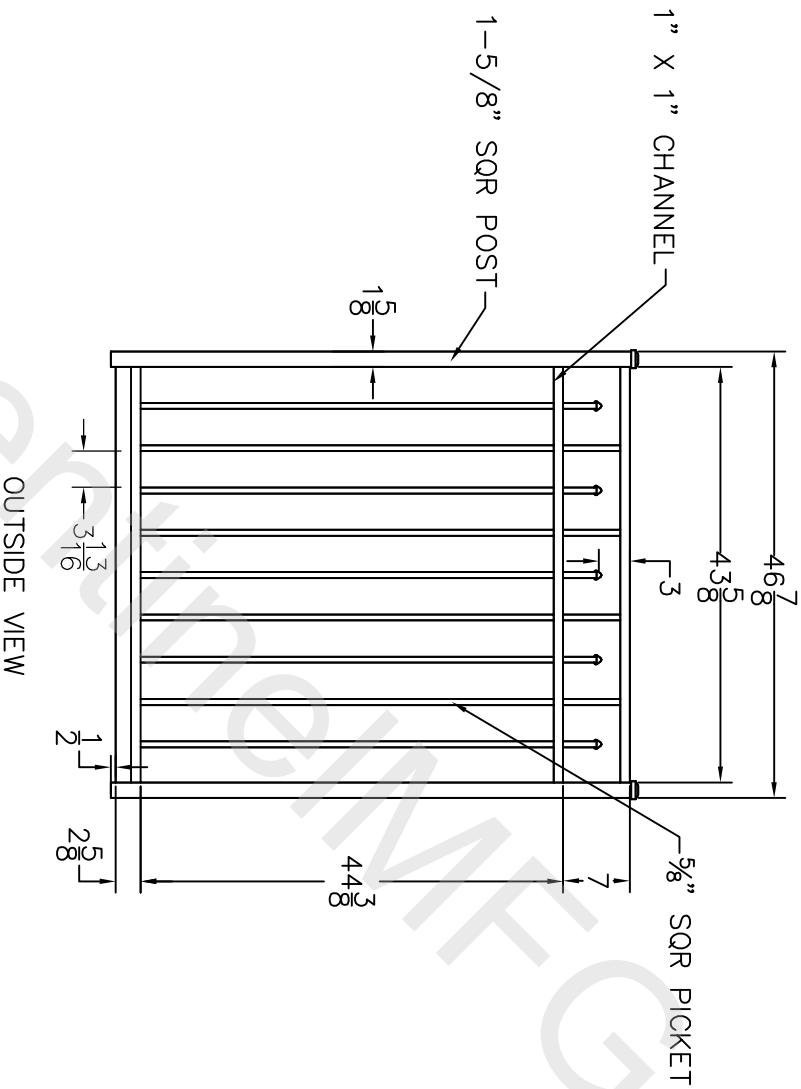


DATE	REV	DESCRIPTION	DATE	APPROVED
03-15-12	01	CREATE FROM 54X48 DROP RAIL GATE		



OUTSIDE VIEW

- NOTES:
1. ALL DIMENSIONS IN INCHES.
 2. INSTALL POSTS PER STANDARD CONSTRUCTION PRACTICES

SENTINEL MFG.
 1527 NC HWY 711
 LUMBERTON, NC 28360
 (910) 735-1351

DRAWING:
 OUTBACK GATE
 HEAVY DUTY
 54"HT X 48" WD

SIZE	DWG NO	DATE	SHEET	REV
D	OU-54HX48W-HD	02-01-12	1 OF 1	NC

© 2005. This drawing may not be altered or reproduced without the permission of SENTINEL MFG.