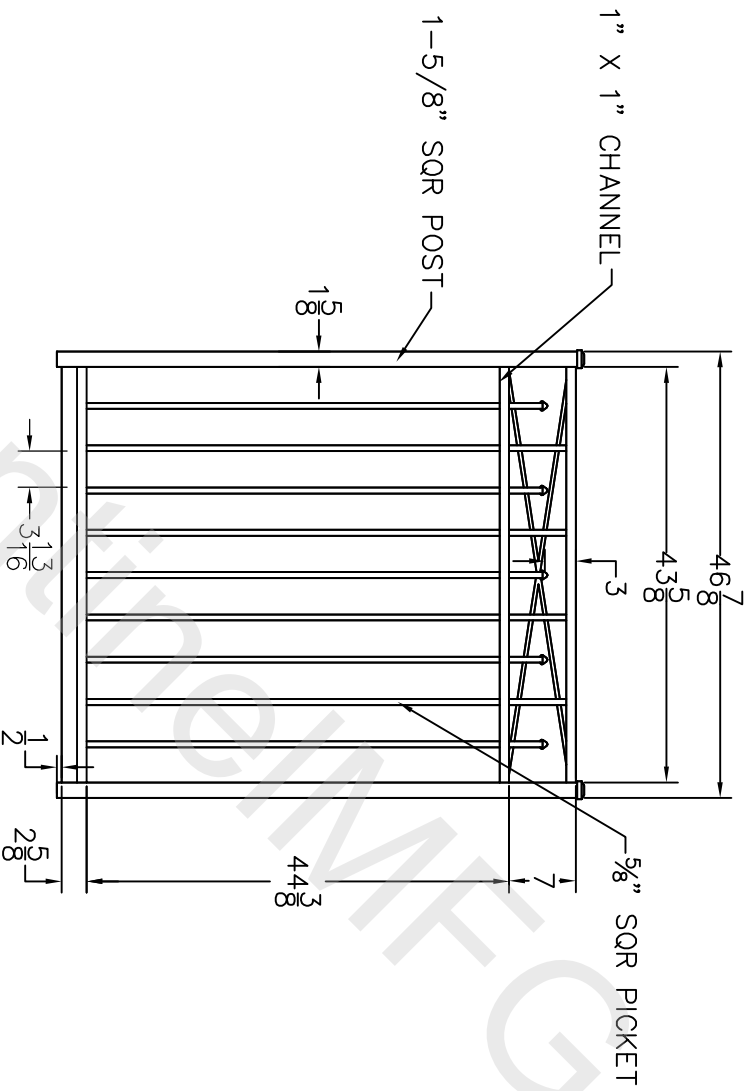


DATE	REV	DESCRIPTION	DATE	APPROVED
03-15-12	01	INITIAL RELEASE CREATE FROM 54X48 DROP RAIL GATE		



OUTSIDE VIEW

- NOTES:
1. ALL DIMENSIONS IN INCHES.
 2. INSTALL POSTS PER STANDARD CONSTRUCTION PRACTICES

SENTINEL MFG.
1527 NC HWY 711
LUMBERTON, NC 28360
(910) 735-1351

DRAWING:
OUTBACK GATE
SUPER HEAVY DUTY
54"HT X 48" WD

SIZE	DWG NO.	DATE	SHEET	REV
D	OU-54HX48W-SHD	02-01-12	1 OF 1	NC

© 2005. This drawing may not be altered or reproduced without the permission of SENTINEL MFG.