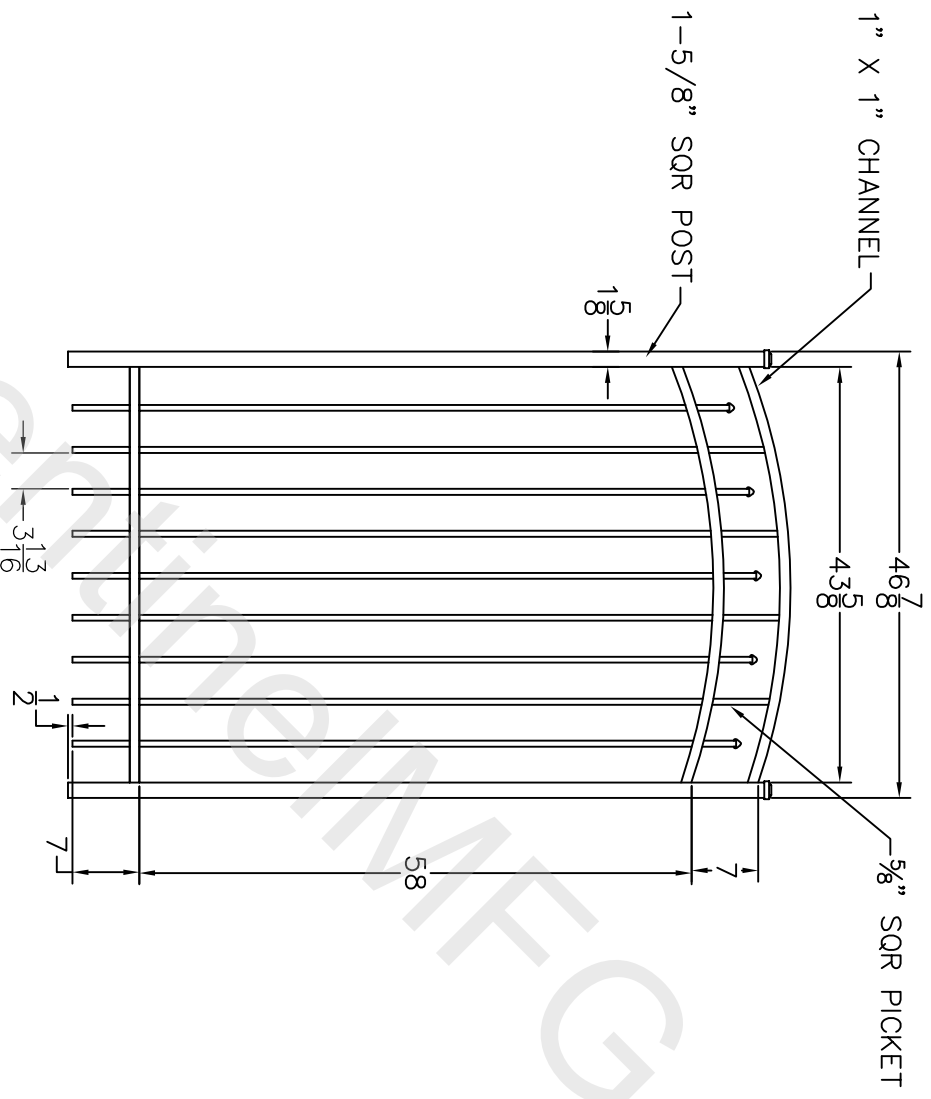


DATE	REV	DESCRIPTION	DATE	APPROVED
-	NC	INITIAL RELEASE		
-	OT	REVISE 36X48 ARCHED GATE	02/02/12	



OUTSIDE VIEW

- NOTES:
1. ALL DIMENSIONS IN INCHES.
 2. INSTALL POSTS PER STANDARD CONSTRUCTION PRACTICES

SENTINEL MFG.
 1527 NC HWY 711
 LUMBERTON, NC 28360
 (910) 735-1351

DRAWING:
 OUTBACK ARCHED GATE-
 72"HT X 48" WD

SIZE	DWG NO.	DATE	SHEET	REV
D	OU-72HX48W-AR	02-02-12	1 OF 1	NC
SCALE				

© 2005. This drawing may not be altered or reproduced without the permission of SENTINEL MFG.