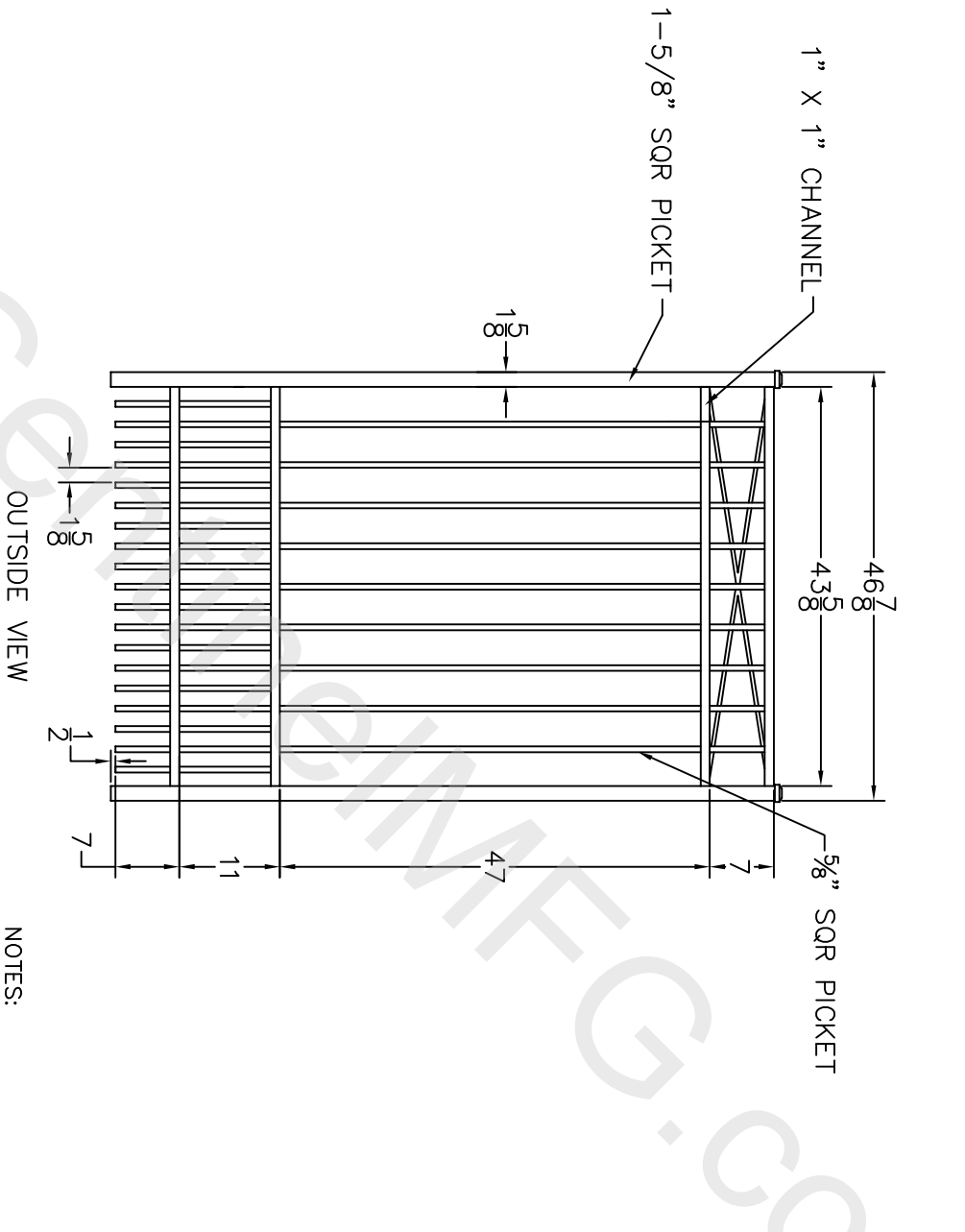


DATE	REV	DESCRIPTION	DATE	APPROVED
03/14/12	01	CREATE FROM STD. GATE AND FENCE		



NOTES:
 1. ALL DIMENSIONS IN INCHES.
 2. INSTALL POSTS PER STANDARD CONSTRUCTION PRACTICES

© 2004. This drawing may not be altered or reproduced without the permission of SENTINEL MFG.

SENTINEL MFG.
 1527 NC HWY 711
 LUMBERTON, NC 28360
 (910) 735-1351

DRAWING:
 PUPPY PICKET GATE-
 72"HT X 48" WD-
 SIERRA TOP & BOTTOM

SIZE	DWG NO	DATE	SHEET	REV
D	PP-72HX48W-SI	01-30-12	1 OF 1	NC