

DATE	DESCRIPTION	BY	APPROVED
03/21/12	CREATE FROM STD. GATE		
	INITIAL RELEASE		
	NO		
	SCALE FROM STD. GATE		

Picket Lengths:

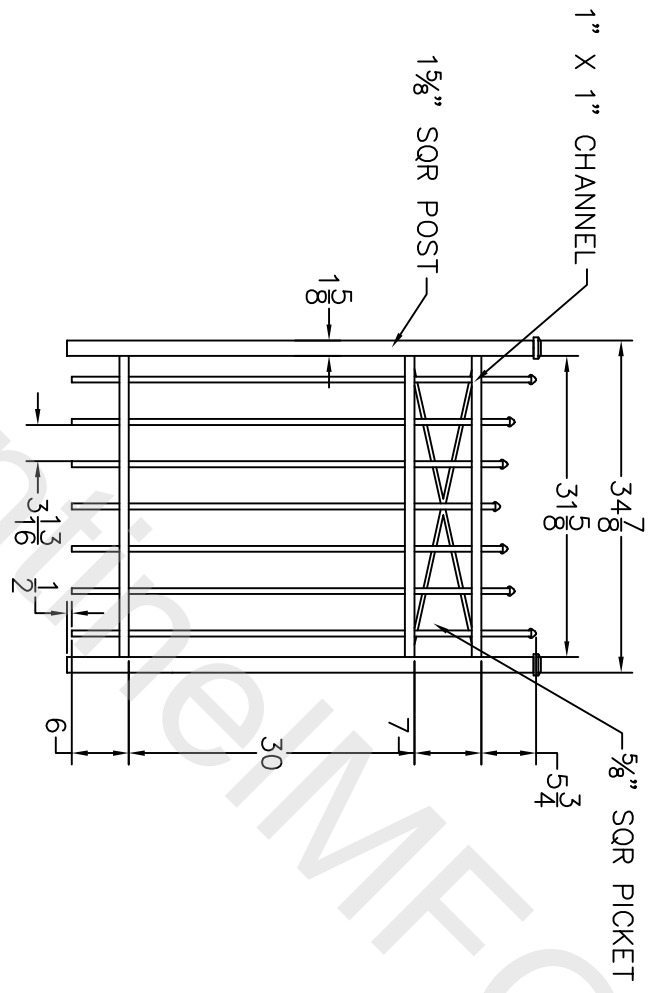
- 1ST: 48.75
- 2ND: 46.5
- 3RD: 45.75
- 4TH: 45.0

- NOTES:
1. ALL DIMENSIONS IN INCHES.
 2. INSTALL POSTS PER STANDARD CONSTRUCTION PRACTICES

SENTINEL MFG.
 1527 NC HWY 711
 LUMBERTON, NC 28360
 (910) 735-1351

DRAWING:
 SAN FRAN
 RESIDENTIAL GATE
 48" HT X 36" WD

SIZE	DWG NO.	REV
D	SF-48X36	NC
SCALE	DATE	SHEET
	11-26-09	1 OF 1



© 2009. This drawing may not be altered or reproduced without the permission of SENTINEL MFG.