

| DATE     | BY | REVISION        |
|----------|----|-----------------|
| 07/12/12 |    | INITIAL RELEASE |
|          |    | REVISE CO. NAME |

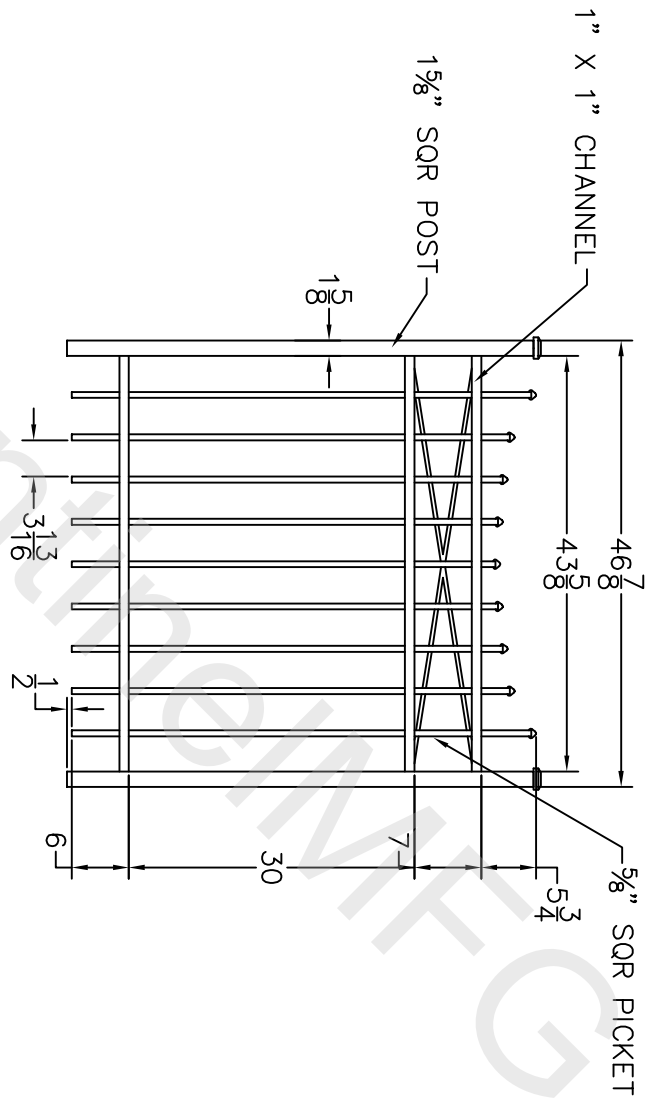
Picket Lengths:  
 1ST: 48.75  
 2ND: 46.5  
 3RD: 45.75  
 4TH: 45.25  
 5TH: 45.0

- NOTES:
1. ALL DIMENSIONS IN INCHES.
  2. INSTALL POSTS PER STANDARD CONSTRUCTION PRACTICES

SENTINEL MFG.  
 1527 NC HWY 711  
 LUMBERTON, NC 28360  
 (910) 735-1351

DRAWING:  
 SAN FRAN  
 RESIDENTIAL GATE  
 48" HT X 48" WD

|       |          |        |
|-------|----------|--------|
| SIZE  | DWG NO.  | REV    |
| D     | SF-48X48 | NC     |
| SCALE | DATE     | SHEET  |
|       | 11-26-09 | 1 OF 1 |



© 2009. This drawing may not be altered or reproduced without the permission of SENTINEL MFG.