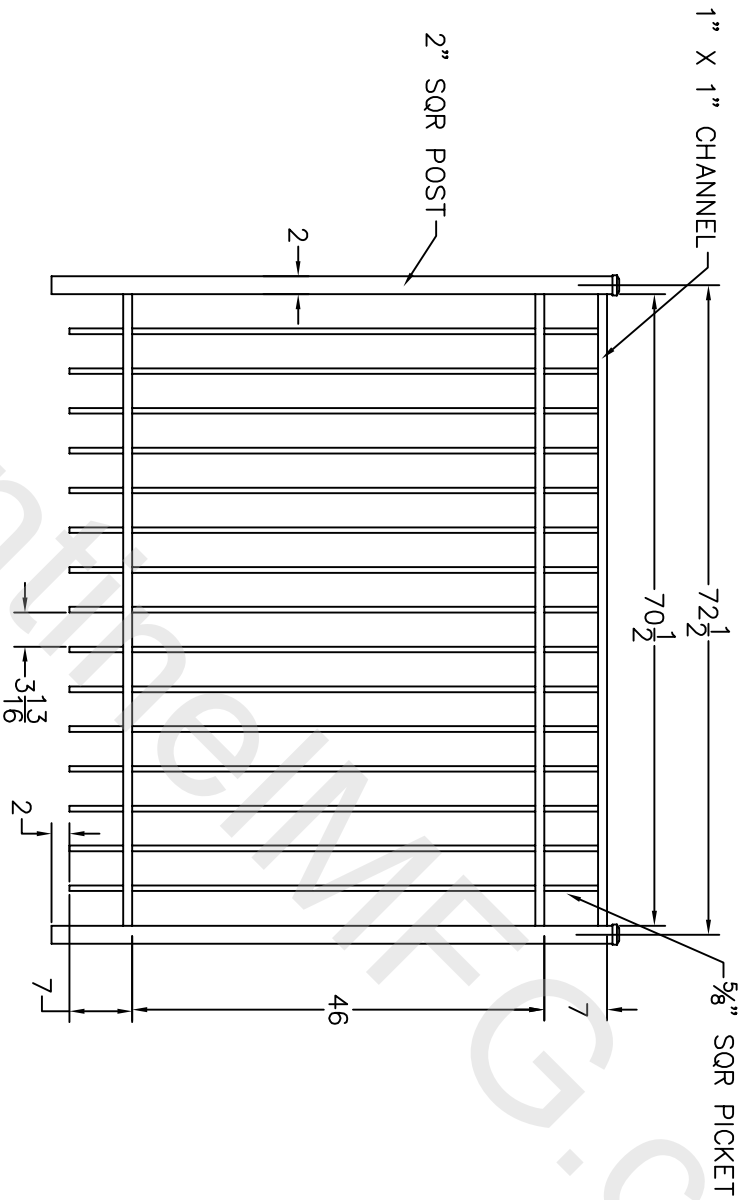


NO.	DESCRIPTION	DATE	APPROVED
01	INITIAL RELEASE	07/10/13	
01	REVISE CO. NAME		



- NOTES:
1. ALL DIMENSIONS IN INCHES.
  2. INSTALL POSTS PER STANDARD CONSTRUCTION PRACTICES

SENTINEL MFG.  
 1527 NC HWY 711  
 LUMBERTON, NC 28360  
 (910) 735-1351

DRAWING:  
 SIERRA - 60" HT

SIZE	DWG NO.	REV.
D	SI-60	NC

SCALE	DATE	SHEET
	06-06-05	1 OF 1

© 2004. This drawing may not be offered or reproduced without the permission of SENTINEL MFG.