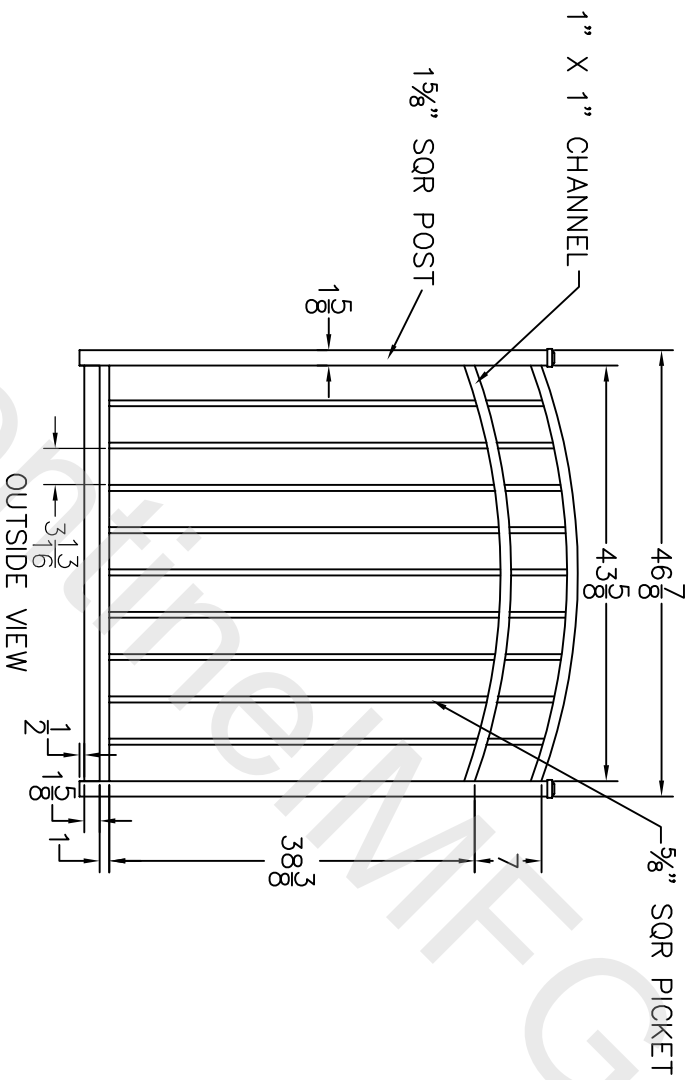


DATE	REV	DESCRIPTION	DATE	APPROVED
-	NC	INITIAL RELEASE		
-	OT	REVISE CO. NAME, REMOVE INSIDE VIEW	07/20/12	
		CHANGE DRAWING TITLE		



OUTSIDE VIEW

NOTES:

1. ALL DIMENSIONS IN INCHES.
2. INSTALL POSTS PER STANDARD CONSTRUCTION PRACTICES

SENTINEL MFG.
 1527 NC HWY 711
 LUMBERTON, NC 28360
 (910) 735-1351

DRAWING:
 SIERRA ARCHED GATE-
 HEAVY DUTY
 48"HT X 48" WD

SIZE	DWG NO.	DATE	SHEET	REV
D	SI-48HX48W-A-HD	06-06-05	1 OF 1	NC

© 2004. This drawing may not be altered or reproduced without the permission of SENTINEL MFG.