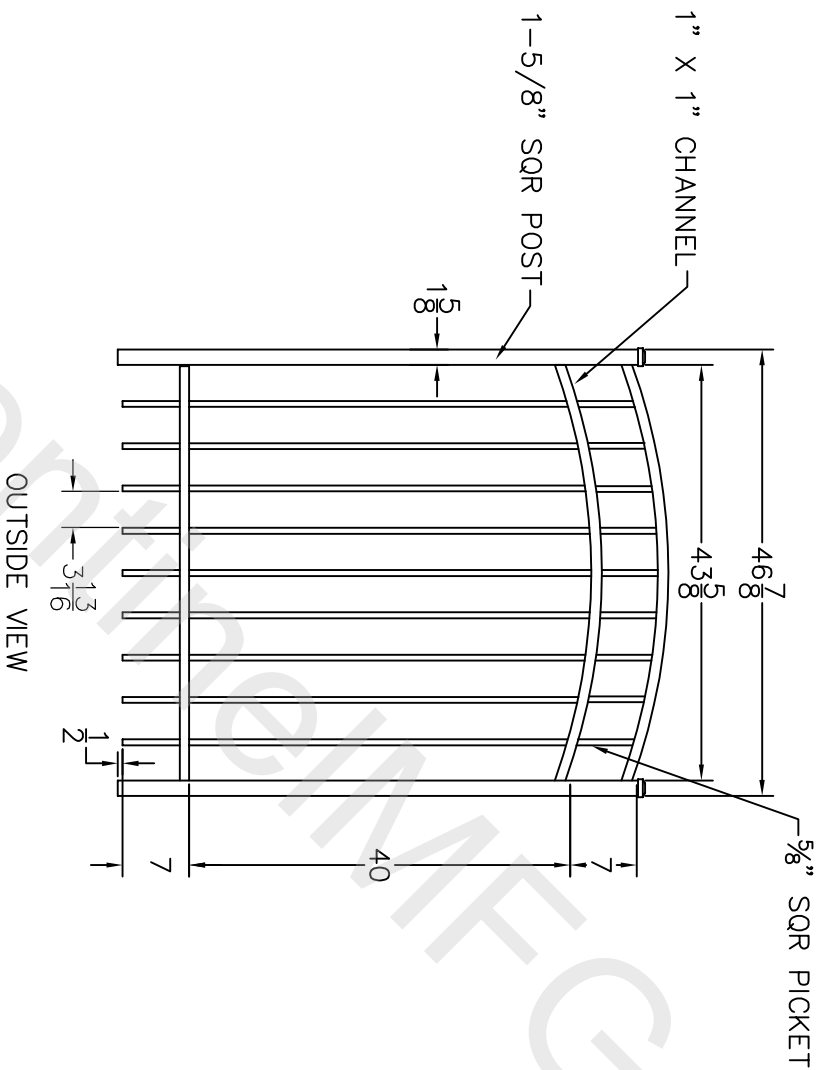


DATE	REV	DESCRIPTION	DATE	APPROVED
-	NC	INITIAL RELEASE	07/30/12	
-	01	REVISE FROM 48X48 ARCHED GATE	03/28/12	
-	02	CORRECT RAIL DIMENSIONS	03/28/12	



- NOTES:
1. ALL DIMENSIONS IN INCHES.
 2. INSTALL POSTS PER STANDARD CONSTRUCTION PRACTICES

SENTINEL MFG.
 1527 NC HWY 711
 LUMBERTON, NC 28360
 (910) 735-1351

DRAWING:
 SIERRA ARCHED GATE
 54"HT X 48" WD

SIZE	DWG NO.	DATE	SHEET	REV
D	SI-54HX48W-A	01-30-12	1 OF 1	NC
SCALE				

© 2004. This drawing may not be altered or reproduced without the permission of SENTINEL MFG.