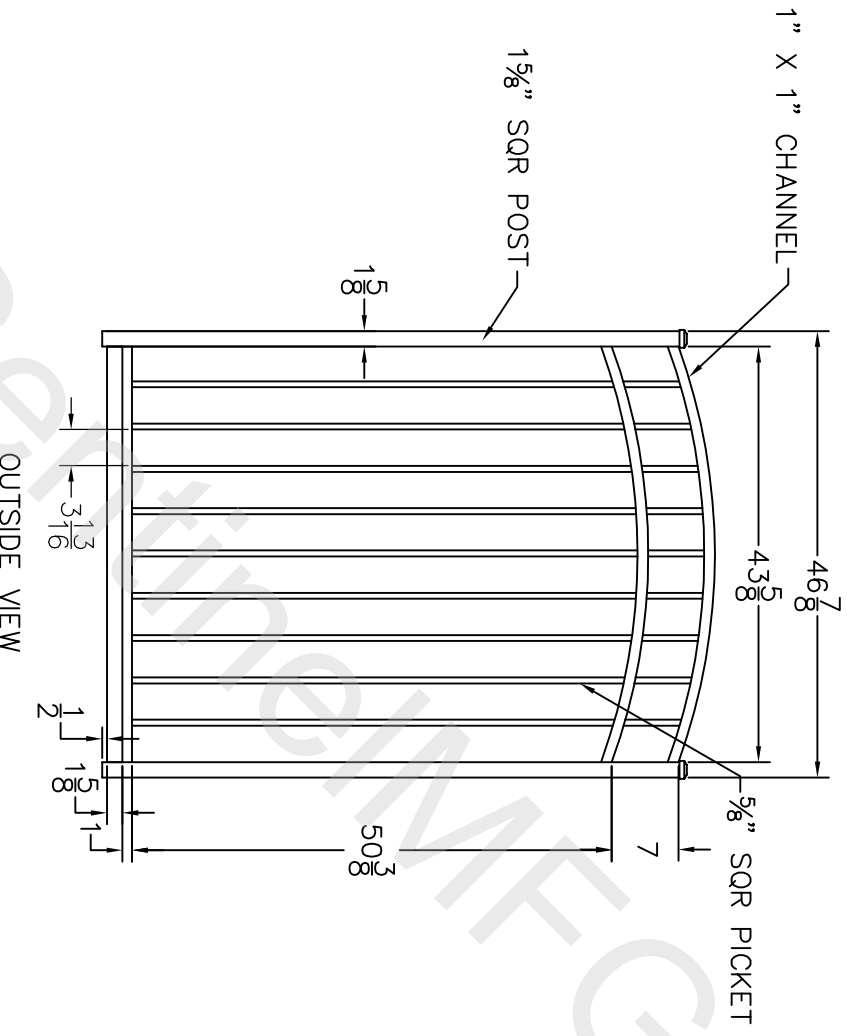


DATE	BY	DESCRIPTION	DATE	APPROVED
-	NC	INITIAL RELEASE		
-	OT	REVISE CO. NAME, REMOVE INSIDE VIEW, CHANGE DRAWING NAME & TITLE	07/20/12	



- NOTES:
1. ALL DIMENSIONS IN INCHES.
 2. INSTALL POSTS PER STANDARD CONSTRUCTION PRACTICES

SENTINEL MFG.
 1527 NC HWY 711
 LUMBERTON, NC 28360
 (910) 735-1351

DRAWING:
 SIERRA ARCHED GATE-
 HEAVY DUTTY
 60"HT X 48" WD

SIZE	DWG NO.	DATE	REV
D	SI-60HX48W-AR-HD	06-06-05	NC
SCALE			SHEET 1 OF 1

© 2004. This drawing may not be altered or reproduced without the permission of SENTINEL MFG.