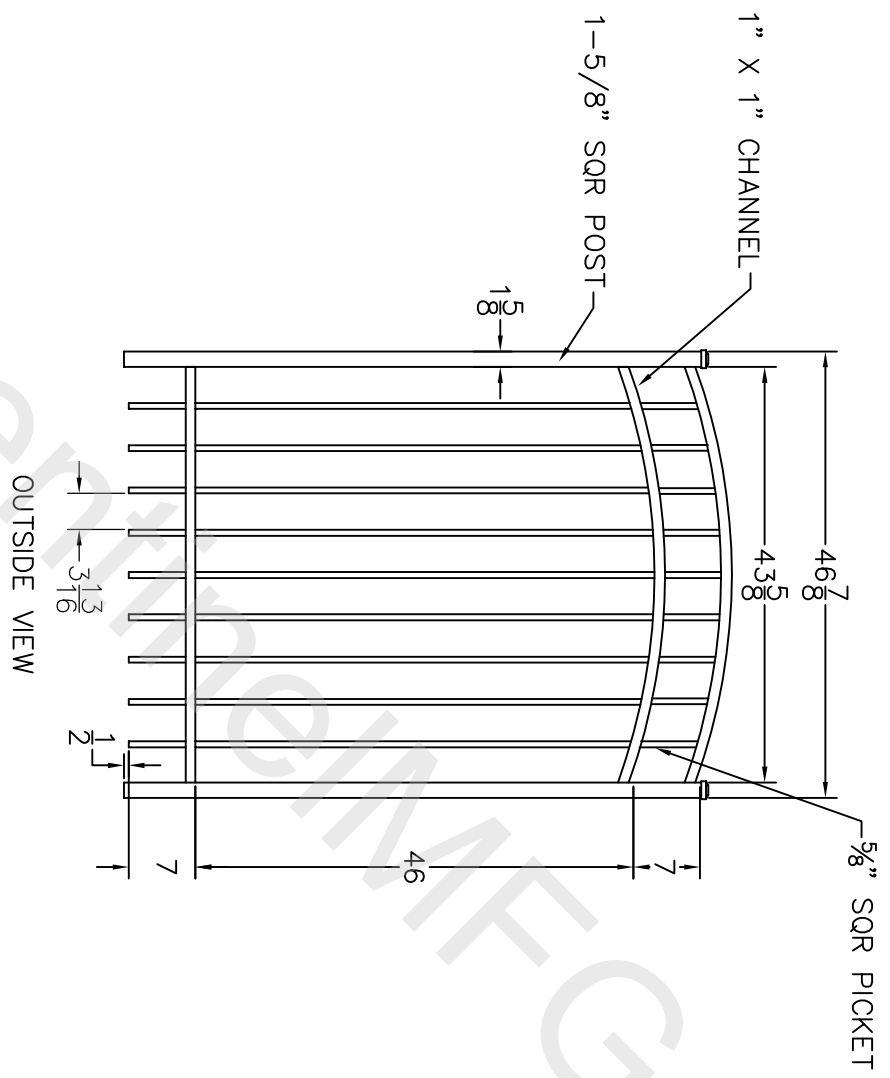


DATE	REV	DESCRIPTION	DATE	APPROVED
01/30/12	01	REVISION FROM 48X48 ARCHED GATE		
		INITIAL RELEASE		
		NC		



OUTSIDE VIEW

- NOTES:
1. ALL DIMENSIONS IN INCHES.
 2. INSTALL POSTS PER STANDARD CONSTRUCTION PRACTICES

SENTINEL MFG.
 1527 NC HWY 711
 LUMBERTON, NC 28360
 (910) 735-1351

DRAWING:
 SIERRA ARCHED GATE
 60"HT X 48" WD

SIZE	DWG NO.	DATE	SHEET	REV
D	SI-60HX48W-A	01-30-12	1 OF 1	NC
SCALE				

© 2004. This drawing may not be altered or reproduced without the permission of SENTINEL MFG.