

DATE	REV	DESCRIPTION	DATE	APPROVED
01/30/12	01	REVISION FROM 48X48 STD. GATE		
	00	INITIAL RELEASE		
	00	NC		

SENTINEL MFG.
 1527 NC HWY 711
 LUMBERTON, NC 28360
 (910) 735-1351

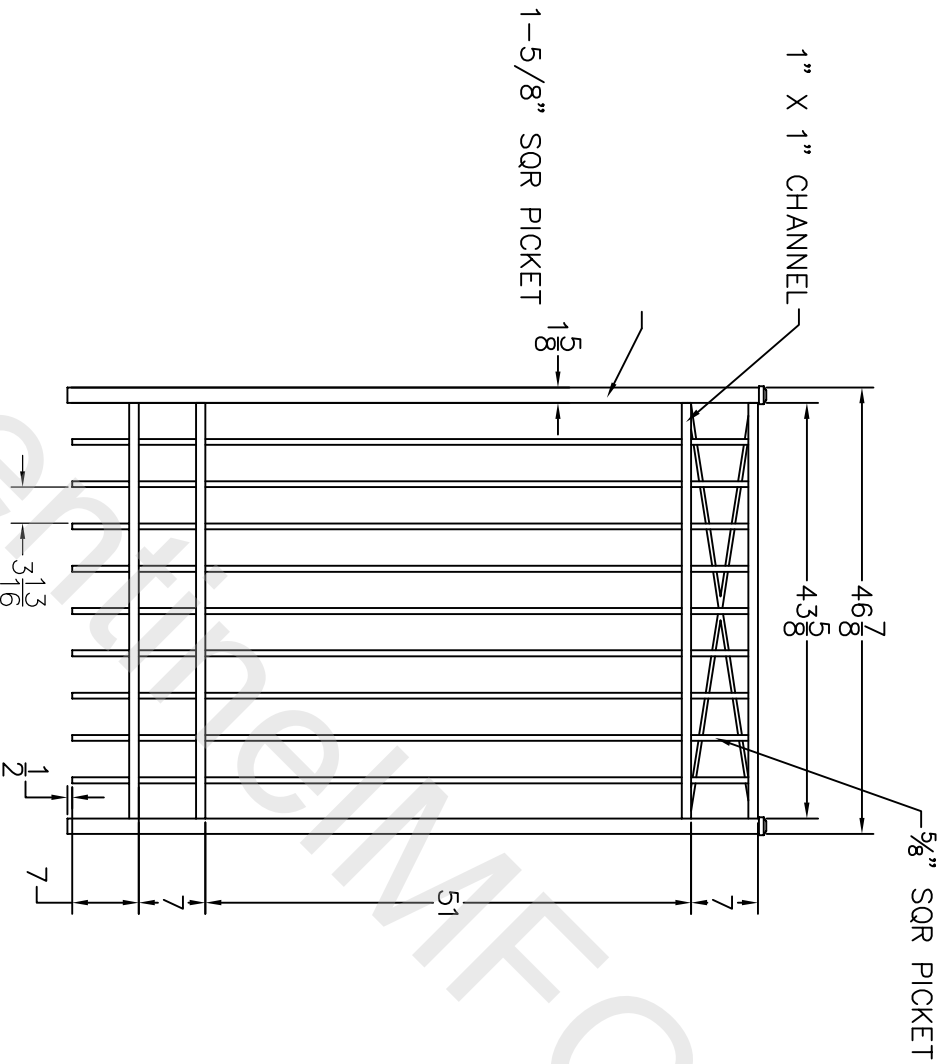
DRAWING:
 SIERRA GATE-
 72"HT X 48" WD

SIZE	DWG NO.	DATE	SHEET	REV
D	SI-72HX48W	01-30-12	1 OF 1	NC
SCALE				

NOTES:

1. ALL DIMENSIONS IN INCHES.
2. INSTALL POSTS PER STANDARD CONSTRUCTION PRACTICES

OUTSIDE VIEW



© 2004. This drawing may not be altered or reproduced without the permission of SENTINEL MFG.