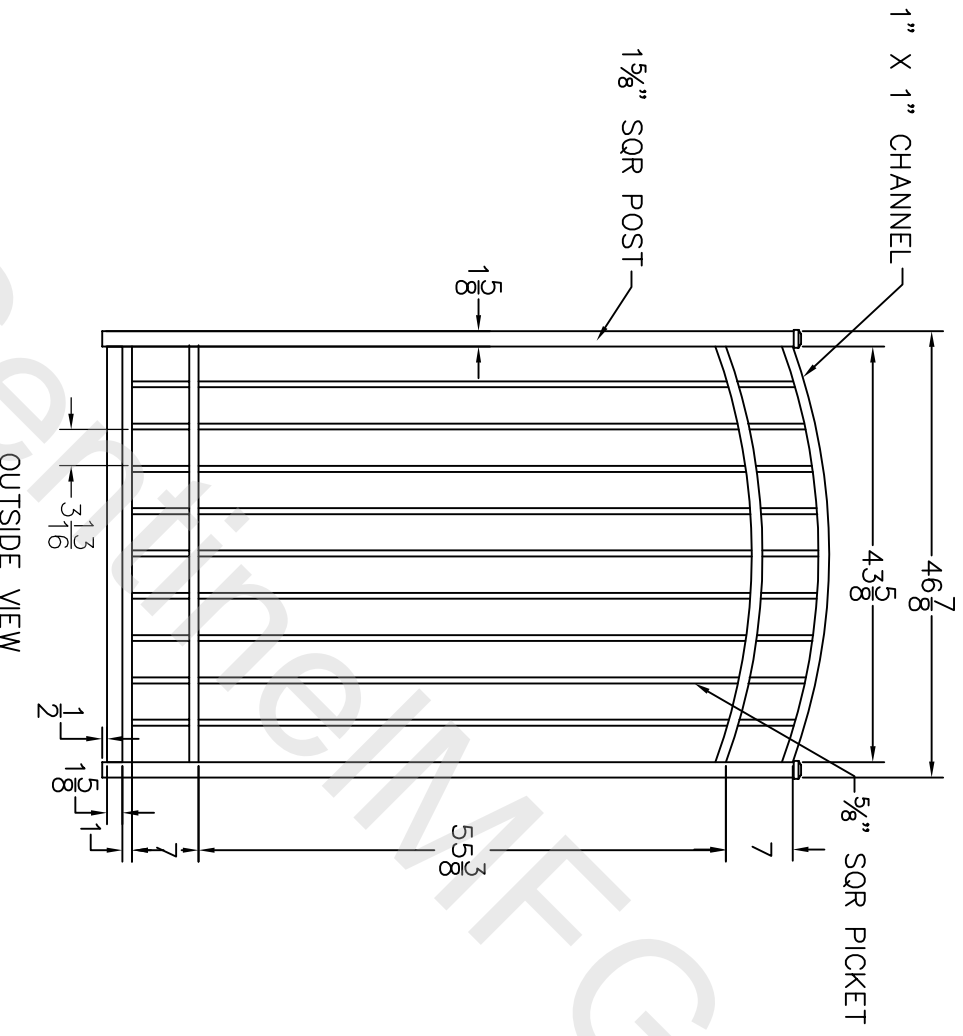


DATE	REV	DESCRIPTION	DATE	APPROVED
-	NC	INITIAL RELEASE		
-	OT	REVISED FROM 60X48 ARCHED HD GATE	07/27/12	



OUTSIDE VIEW

- NOTES:
1. ALL DIMENSIONS IN INCHES.
 2. INSTALL POSTS PER STANDARD CONSTRUCTION PRACTICES

SENTINEL MFG.
 1527 NC HWY 711
 LUMBERTON, NC 28360
 (910) 735-1351

DRAWING:
 SIERRA ARCHED GATE-
 HEAVY DUTTY
 72"HT X 48" WD

SIZE	DWG NO.	DATE	REV
D	SI-72HX48W-AR-HD	01-31-12	NC
SCALE			SHEET 1 OF 1

© 2004. This drawing may not be altered or reproduced without the permission of SENTINEL MFG.